

# Ball Valve Full Port



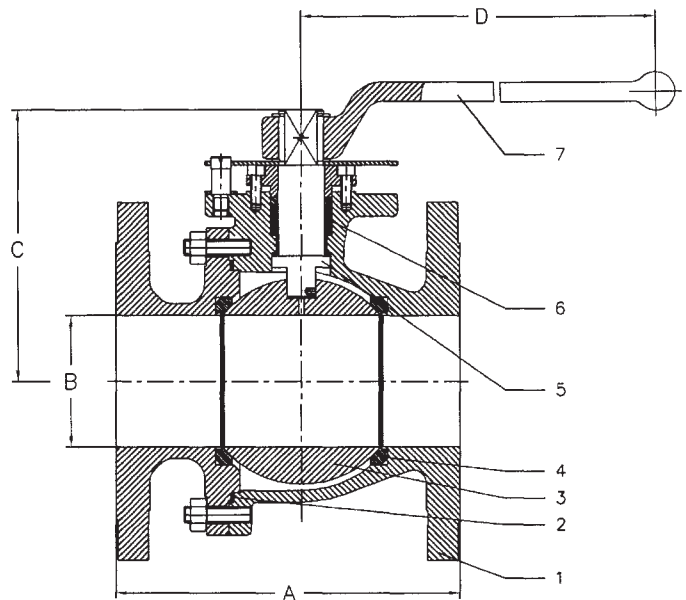
**Model #30FBA-F**  
**Class 300 (1/2" to 12")**

## DESIGN SPECIFICATIONS

|                             |             |
|-----------------------------|-------------|
| GENERAL VALVE DESIGN        | API 608     |
| PRESSURE TEMPERATURE RATING | ANSI B16.34 |
| WALL THICKNESS              | ANSI B16.34 |
| FLANGE DESIGN               | ANSI B16.5  |
| FACE TO FACE DIMENSION      | ANSI B16.10 |
| MATERIALS                   | ASTM        |
| VALVE TESTING               | API 598     |
| VALVE FIRE SAFE TESTING     | API 607     |

| NO. | PART NAME | A 216-WCB             | A 351-CF8M            |
|-----|-----------|-----------------------|-----------------------|
| 1   | BODY      | A 216-WCB             | A 351-CF8M            |
| 2   | GASKET    | PTFE *                | PTFE *                |
| 3   | BALL      | A 351-CF8M            | A 351-CF8M            |
| 4   | SEAT      | RTFE GLASS FILLED 25% | RTFE GLASS FILLED 25% |
| 5   | STEM      | A 276-316             | A 276-316             |
| 6   | PACKING   | PTFE *                | PTFE *                |
| 7   | HANDLE    | A 216-WCB             | A 216-WCB             |

\* FLEXIBLE GRAPHITE IN FIRESAFE DESIGN



| SIZE   | INCH | 1/2  | 3/4  | 1    | 1 1/2 | 2   | 2 1/2 | 3     | 4     | 6     | 8     | 10    | 12    |
|--------|------|------|------|------|-------|-----|-------|-------|-------|-------|-------|-------|-------|
|        | MM   | 15   | 20   | 25   | 40    | 50  | 65    | 80    | 100   | 150   | 200   | 250   | 300   |
| A      | INCH | 5.5  | 6    | 6.5  | 7.5   | 8.5 | 9.5   | 11.12 | 12    | 15.88 | 19.75 | 22.38 | 25.5  |
|        | MM   | 140  | 152  | 165  | 191   | 216 | 241   | 282   | 305   | 403   | 502   | 569   | 648   |
| B      | INCH | 0.59 | 0.79 | 1    | 1.5   | 2   | 2.5   | 3     | 4     | 6     | 8     | 10    | 12    |
|        | MM   | 15   | 20   | 25   | 38    | 51  | 64    | 76    | 102   | 152   | 203   | 254   | 305   |
| C      | INCH | 2.26 | 2.4  | 3.41 | 4.65  | 5   | 6.44  | 6.75  | 8.35  | 10.65 | 12.87 | 17.85 | 21.54 |
|        | MM   | 57.5 | 61   | 86.5 | 118   | 129 | 163.5 | 171.5 | 212   | 270.5 | 327   | 453.5 | 547   |
| D      | INCH | 5.12 | 5.12 | 6.3  | 9     | 9   | 15.75 | 15.75 | 33.46 | 39.37 | 59    |       |       |
|        | MM   | 130  | 130  | 160  | 230   | 230 | 400   | 400   | 850   | 1000  | 1500  |       |       |
| Weight | LBS  | 3.7  | 5    | 11   | 15    | 33  | 49    | 112   | 203   | 267   | 459   | 529   | 904   |
|        | KGS  | 1.7  | 2    | 5    | 7     | 15  | 22    | 51    | 92    | 121   | 208   | 240   | 410   |

