

Cast Iron Globe Valve

Model #25FGLZ
Class 250 (2" to 8")

STANDARD:

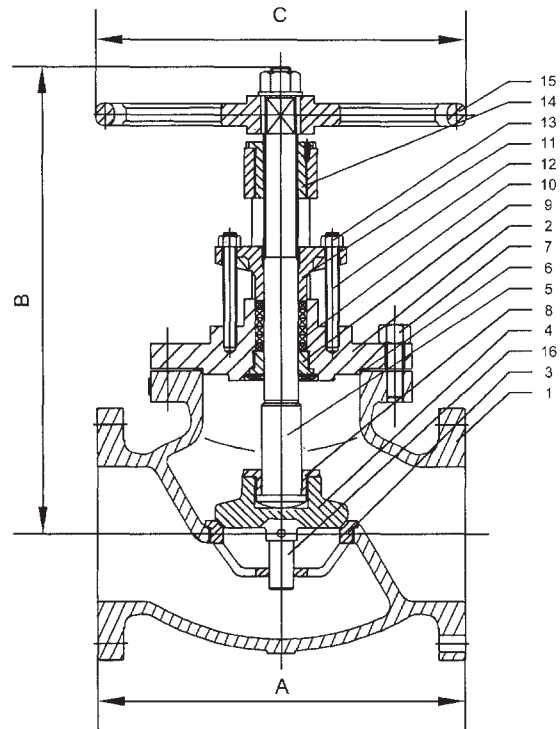
Design according to MSS SP-85
 Pressure/Temperature Rating: ANSI B16.1
 Face to Face Dimensions: ANSI B16.10
 End Flange Dimensions: ANSI B16.1
 Wall thickness: ANSI B16.1
 Valves Tested According to API 598

WORKING PRESSURE:

250psi Steam, Basic Rating
 500psi Cold Working Pressure



NO.	PART NAME	MATERIAL
1	BODY	ASTM A126-B
2	BONNET	ASTM A126-B
3	SEAT RING	BRONZE ASTM B62
4	DISC	A105 + BRONZE OVERLAY
5	STEM	BRASS ASTM B16
6	GASKET	GRAPHITE
7	BOLTS	ASTM A307-B
8	DISC NUT	BRASS ASTM B16
9	BACKSEAT BUSHING	BRONZE ASTM B62
10	PACKING	GRAPHITE
11	PACKING GLAND	ASTM A126-B
12	GLAND FOLLOWER BOLT	ASTM A307-B
13	GLAND FOLLOWER NUT	ASTM A307-B
14	YOKE NUT	ASTM A439 D-2
15	HANDWHEEL	DUCTILE IRON
16	GUIDE PIN	BRASS ASTM B16



SIZE	INCH	2	2½	3	4	6	8
	MM	50	65	80	100	150	200
A	INCH	10.5	11.5	12.5	14	17.5	21
	MM	267	292	318	356	445	533
B	INCH	10.31	13.56	14	16.5	23.5	26.5
	MM	262	345	356	419	597	673
C	INCH	7	8	10	11	14	16
	MM	178	203	254	279	356	406
Weight	lbs	42	79	97	155	360	546
	kgs	19	36	44	70	163	248

