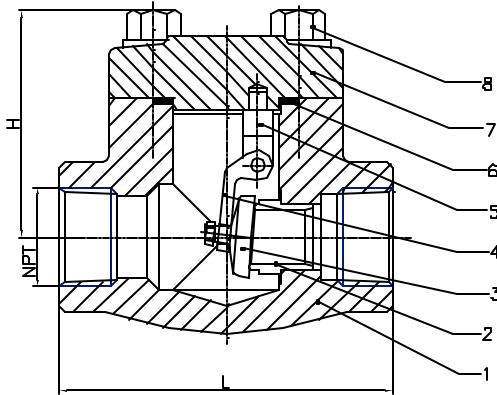


Forged Steel Swing Check

Class 800 (1/2" to 2")
Class 1500 (1/2" to 2")



Davis forged steel valves comply with the following applicable specifications: ANSI B16.34, ANSI B16.11, ANSI B1.20.1, API602, API606, MSS SP-84, BS5352: Tested to API 598

NO.	PART NAME	MATERIAL
1	BODY	A105 N
2	SEAT	A276-410 Hard Faced
3	DISC	A276-410
4	ARM	CF8M
5	PIN	A276-410
6	GASKET	Spiral Wound 304+Graphite
7	BONNET	A105 N
8	BOLT	A193-B7

Class 800

8SCTFS1 - Threaded
8SCWFS1 - Socket Weld

Size	1/2"	3/4"	1"	1 1/4"	1 1/2"	2"
L	3.11	3.62	4.37	4.72	4.72	5.5
H	2.44	2.48	3.1	3.23	4	4.72
Wt/lbs	3.52	3.96	6.16	8.36	9.9	16.5

Working Pressure: 1975 psi
Body Testing Pressure: 2965 psi
Seat Testing Pressure: 2175 psi
Air Testing Pressure: 80 psi

Class 1500

15SCTFS1 - Threaded
15SCWFS1 - Socket Weld

Size	1/2"	3/4"	1"	1 1/2"	2"
L	4.37	4.37	4.73	5.5	6.7
H	3	3	3.23	4.72	6.3
Wt/lbs	3.96	4.62	7.7	16.5	22.22

Working Pressure: 3705 psi
Body Testing Pressure: 5560 psi
Seat Testing Pressure: 4080 psi
Air Testing Pressure: 80 psi

