

# Stainless Steel Globe Valve

**Model #20**

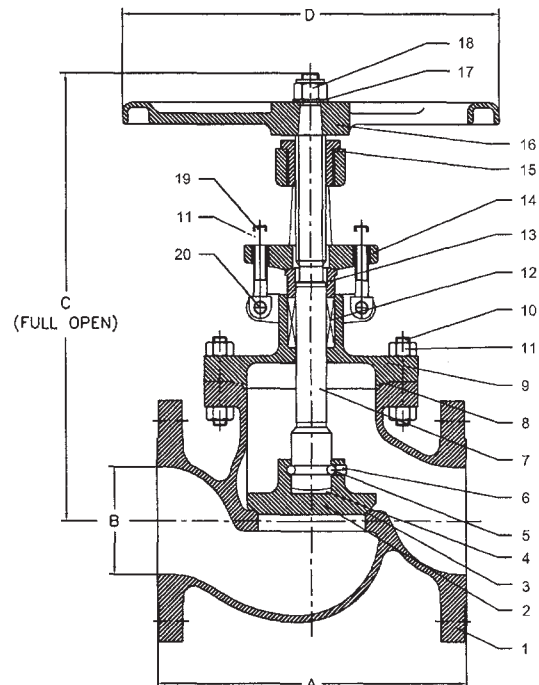
**Class 150 (1" to 12")**

**Precision machined globe and seat for tight shutoff**  
**Heavy duty cast construction**  
**Body-guided disc insures alignment, low noise and**  
**low vibration**  
**Integral backseat**  
**Locking handwheel nut**  
**Rugged carbon steel handwheel**  
**Available in a wide range of alloys**



**Designed to ANSI B16.34,  
 tested to API 598. Face  
 to face ANSI B16.10,  
 Flanges to ANSI B16.5**

NO.	PART NAME	A 351-CF8M	A 351-CN7M
1	BODY	A 351-CF8M	A 351-CN7M
2	SEAT	A 351-CF8M	A 351-CN7M
3	DISC	A 351-CF8M	A 351-CN7M
4	THRUST PAD	A 276-316	A 351-CN7M
5	BALL/STEM COLLAR	A 276-316	A 351-CN7M
6	SOCKET SET SCREW/RETAINER	A 276-316	A 351-CN7M
7	STEM	A 276-316	A 351-CN7M
8	SW GASKET	PTFE	PTFE
9	BONNET	A 351-CF8M	A 351-CN7M
10	STUD	A 193-B8	A 193-B8M
11	HEAVY HEX NUT	A 194-8	A 194-8M
12	GLAND PACKING	BRIADED PTFE	BRIADED PTFE
13	GLAND BUSH	A 276-316	A 351-CN7M
14	GLAND FLANGE	A 351-CF8M	A 351-CN7M
15	STEM NUT	AL BRONZE (B 148-Gr D)	AL BRONZE (B 148-Gr D)
16	HAND WHEEL	A 216-WCB/DUCTILE IRON	A 216-WCB/DUCTILE IRON
17	WASHER	A 276-304	A 276-304
18	NYLOCK NUT	A 276-304	A 276-304
19	GLAND BOLT	A 182-F304	A 182-F316
20	GROOVE PIN	A 276-304	A 276-304



SIZE	INCH	1	1½	2	2½	3	4	6	8	10	12
	MM	25	40	50	65	80	100	150	200	250	300
A	INCH	5	6.5	8	8.5	9.5	11.5	16	19.5	24.5	27.5
	MM	127	165.1	203.2	215.9	241.3	292.1	406.4	495.3	622.3	698.5
B	INCH	1	1.5	2	2.5	3	4	6	8	10	12
	MM	25	38	51	64	76	102	152	203	254	305
C	INCH	9.75	11	12.6	15.55	16.35	20.15	24.4	28.20	35.0	41
	MM	247.7	279.4	321	395	415.5	512	620	717	889	1042
D	INCH	5	8	8	10	10	14	18	20	25	25
	MM	127	203	203	254	254	356	457	508	635	635
Weight	LBS	13	25	31	46	68	96	180	285	429	646
	KGS	6	11	14	21	31	44	82	129	195	293

