

Stainless Steel Swing Check

Model #30-900, 30-1500, 30-2500

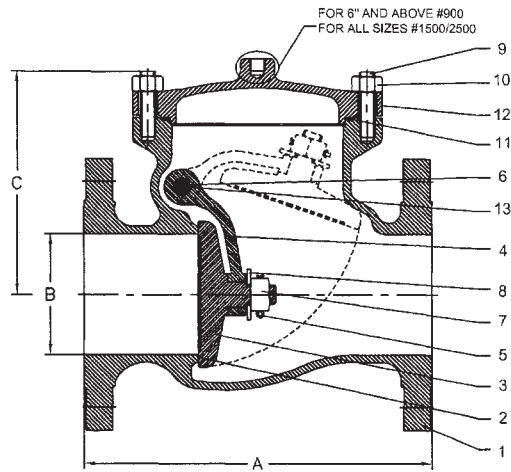
Class 900 (2" to 8")

Class 1500 (2" to 6")

Class 2500 (2" to 4")

Unique full port
Heavy duty cast construction
Bolted cover
Precision machined self-aligning disc ensures perfect seating of disc against body seat
Available in a wide range of alloys

**Designed and tested to
 ANSI B16.34, API 598,
 API 6D face to face ANSI B16.10
 Flanges to ANSI B16.5**



NO.	PART NAME	A 351-CF8M	A 351-CN7M
1	BODY	A 351-CF8M	A 351-CN7M
2	SEAT	A 351-CF8M	A 351-CN7M
3	DISC	A 351-CF8M	A 351-CN7M
4	DISC CARRIER	A 351-CF8M	A 351-CN7M
5	COTTER PIN	A 276-316	A 351-CN7M
6	PIN	A 276-316	A 351-CN7M
7	HEX NUT	A 194-8M	A 351-CN7M
8	PLAIN WASHER	A 276-316	A 351-CN7M
9	STUD	A 193-B8	A 193-B8M
10	HEX NUT	A 194-8	A 194-8M
11	GASKET	PTFE	PTFE
12	COVER	A 351-CF8M	A 351-CN7M
13	NPT PIN PLUG	SS 316	A 351-CN7M

CLASS #900							CLASS #1500						CLASS #2500				
SIZE	INCH	2	3	4	6	8	SIZE	INCH	2	3	4	6	SIZE	INCH	2	3	4
	MM	50	80	100	150	200		MM	50	80	100	150		MM	50	80	100
A	INCH	14.5	15.0	18.0	24.0	29.0	A	INCH	14.5	18.5	21.5	27.75	A	INCH	17.75	22.75	26.50
	MM	368.3	381.0	457.2	609.6	736.6		MM	368.3	469.9	546.1	704.85		MM	450.8	577.8	673.1
B	INCH	1.87	2.87	3.87	5.75	7.5	B	INCH	1.87	2.75	3.62	5.37	B	INCH	1.50	2.25	2.87
	MM	47.49	72.89	98.29	146.1	190.5		MM	47.49	69.85	91.94	136.34		MM	38.10	57.1	72.8
C	INCH	6.9	7.4	8.5	11.0	11.4	C	INCH	6.9	9.5	9.5	11.4	C	INCH	9.05	11.25	12.6
	MM	176.3	189.0	215.9	279.4	290.4		MM	176.3	241.3	241.3	288.9		MM	230	286	320

