

Cast Iron Strainers

Model #12FYSZ
Class 125 (2" to 18")



STANDARD:

End Flange Dimensions: ANSI B16.1

Wall thickness: ANSI B16.1

WORKING PRESSURE:

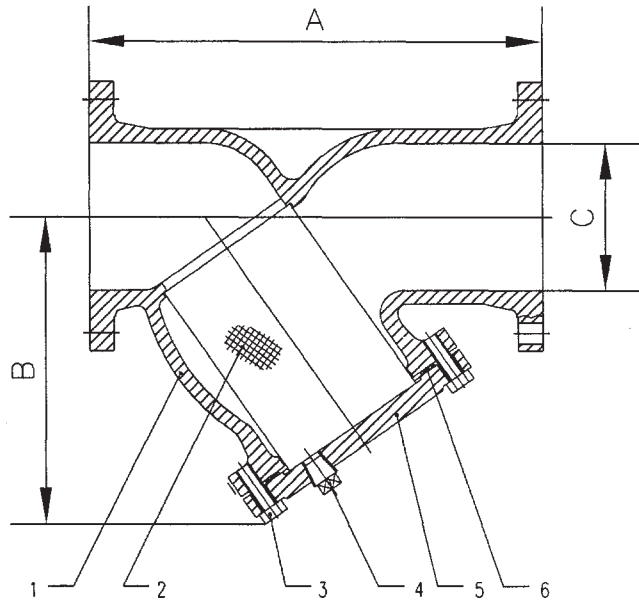
2" to 12" - 125psi Steam, Basic Rating

200psi Cold Working Pressure

14" to 18" - 100psi Steam, Basic Rating

150psi Cold Working Pressure

NO.	PART NAME	MATERIAL
1	BODY	ASTM A126-B
2	SCREEN	ASTM A276 304
3	BOLTS	ASTM A307-B
4	PLUG	STEEL
5	BONNET	ASTM A36
6	GASKET	GRAPHITE



SIZE	INCH	2	2½	3	4	5	6	8	10	12	14	16	18
	MM	50	65	80	100	130	150	200	250	300	350	400	450
A	INCH	7.875	10	10.125	12.125	15.625	18.5	21.625	25.75	30	33.25	38.75	43.12
	MM	200	254	257	308	397	470	549	654	759	846	984	1095
B	INCH	5.25	6.5	7.5	9	13.125	15.75	18	18.5	22	28.625	30	31
	MM	133	165	190	227	335	401	457	471	557	727	762	788
C	INCH	2	2.5	3	4	5	6	8	10	12	14	16	18
	MM	51	65	76	102	127	152	203	254	305	356	406	457
Weight	lbs	18	28	33	60	95	132	247	370	580	864	1380	2272
	kgs	8	12	15	27	43	60	112	168	263	392	627	1032

