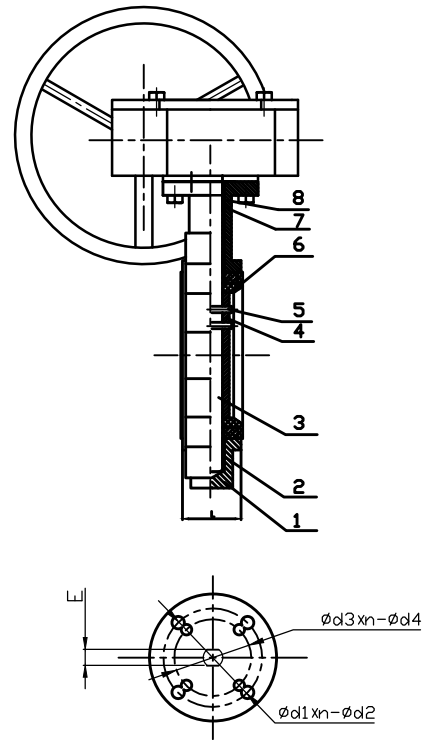
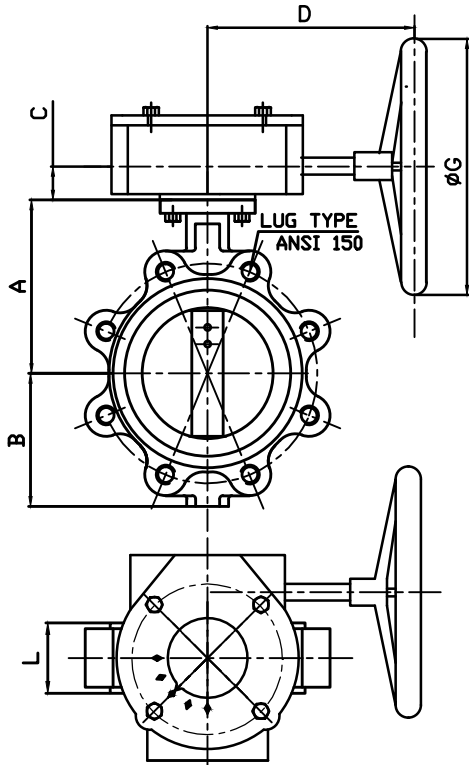


DUCTILE IRON BUTTERFLY VALVE 2"-10"

LUG TYPE W/ GEAR OPERATOR
 MODEL# 12LDFE-G (EPDM) 200PSI
 MODEL# 12LDFB-G (BUNA)

- Design : API-609
- Flange : ANSI 125/150
- Top Flange : ISO-5211
- Testing : API-598

NO.	Part Name	Material
1	BODY	DUCTILE IRON
2	BUSHING	PTFE
3	SHAFT	S.S.316
4	DISC	S.S.316
5	PIN	S.S.316
6	SEAT	EPDM/BUNA
7	BUSHING	PTFE
8	O-RING	NBR



SIZE	A		B		C		L		Ød		E		Ød1xn-Ød2		Ød3xn-Ød4		D		ØG		WGT	
	mm	inch	mm	inch	mm	inch	mm	inch	mm	inch	mm	inch	mm	inch	mm	inch	mm	inch	mm	inch	lbs	kg
2"	162	6.38	82	3.32	39	1.53	42	1.65	12.6	0.50	10	0.39	Ø70x4-Ø9.5	Ø2.76x4-Ø0.37			233	9.17	290	11.42	12	5.4
2-1/2"	175	6.89	95	3.74	32	1.26	44.2	1.74	12.6	0.50	10	0.39	Ø70x4-Ø9.5	Ø2.76x4-Ø0.37			233	9.17	290	11.42	16	7.3
3"	181	7.13	101	3.98	32	1.26	45	1.77	12.6	0.50	10	0.39	Ø70x4-Ø9.5	Ø2.76x4-Ø0.37			233	9.17	290	11.42	18	8.2
4"	200	7.87	124	4.88	32	1.26	52	2.05	15.77	0.62	12	0.47	Ø70x4-Ø9.5	Ø2.76x4-Ø0.37			233	9.17	290	11.42	24	10.9
5"	213	8.39	136	5.35	32	1.26	54.4	2.14	18.92	0.74	14	0.55	Ø70x4-Ø9.5	Ø2.76x4-Ø0.37			233	9.17	290	11.42	25	11.3
6"	226	8.90	149	5.87	32	1.26	55.75	2.19	18.92	0.74	14	0.55	Ø70x4-Ø9.5	Ø2.76x4-Ø0.37			233	9.17	290	11.42	30	13.6
8"	260	10.24	181	7.13	36	1.41	60.5	2.38	22.1	0.87	17	0.67	Ø125x4-Ø14.3	Ø4.92x4-Ø0.56	Ø102x4-Ø11	Ø4.02x4-Ø0.43	226	8.90	290	11.42	42	19.1
10"	292	11.50	210	8.27	36	1.41	66.5	2.62	28.45	1.12	22	0.87	Ø125x4-Ø14.3	Ø4.92x4-Ø0.56	Ø102x4-Ø11	Ø4.02x4-Ø0.43	226	8.90	290	11.42	65	49.0

