

CAST STEEL FLANGED LUBRICATED PLUG VALVE 10"-12"

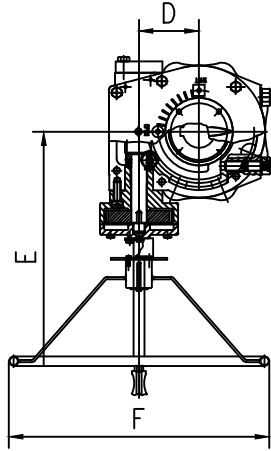
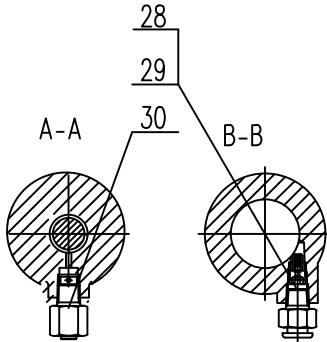
Pressure Balanced Lubricated Plug Valve

600#

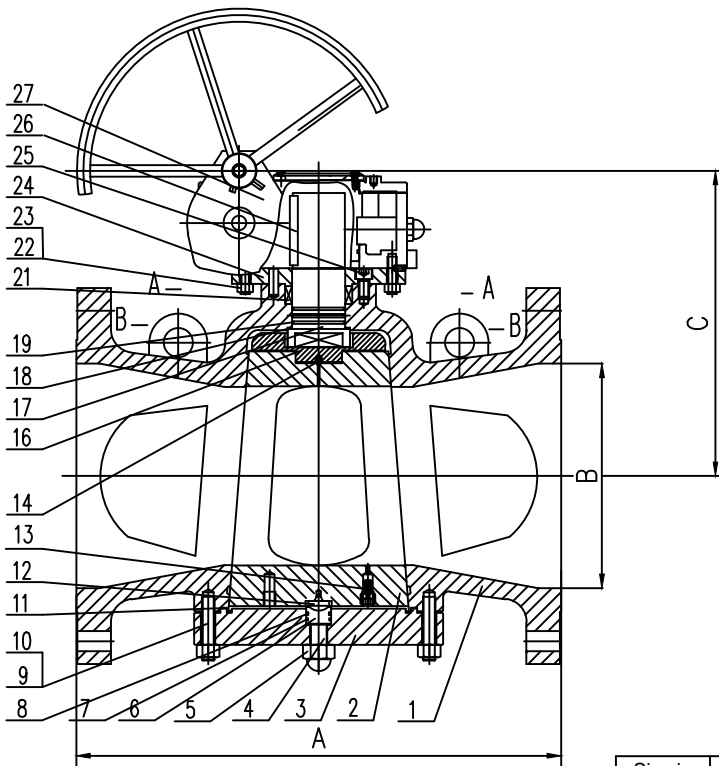
MODEL# 60FPLW-PB

Technical Requirements:

Design & Manufacture	API 6D
Material Press-Temp Rating	ASME/ANSI 16.34
End to End Dimension	API 6D/ASME B16.10
Flange Dimension	ASME/ANSI B16.5
Test & Inspect	API 6D
Fire Safe Design	API 6FA
Special Requirements	NACE MR 01 75



No.	Part	Material
1	Body	A216 WCC
2	Plug	A216 WCC+ENP
3	Lower Cover	A216 WCC
4	Adjustable Bolt	A193 B7M
5	Nut	A29 1025
6	Adjustable Block	A29 1035
7	Packing	Graphite
8	O-Ring	VITON
9	Bolt	A193 B7M
10	Nut	A194 2HM
11	Gasket	Flexible Graphite+304
12	Bearing	A276 410+SH
13	Check Valve	CS/SS
14	Check Valve	304SS
15	Hub	A216 WCC
16	Stem	AISI 410
17	Thrust Bearing	PTFE
18	O-Ring	VITON
19	Braid Packing	Flexible Graphite
20	Bolt	ISO CL 6.8
21	Nut	ISO CL6
22	Gland	A105
23	Bolt	ISO CL 8.8
24	Key	AISI 1045
25	Gear	CI/CS
26	Grease Fitting	A29 1035
27	Check Valves	A29 1035
28	Packing Injector	A29 1035



Size in	A	B	C	D	E	F	Wt lbs
10	31.0	10	17.6	5.4	25.4	23.6	1645
12	33.0	12	18.2	5.4	25.4	23.6	1786

