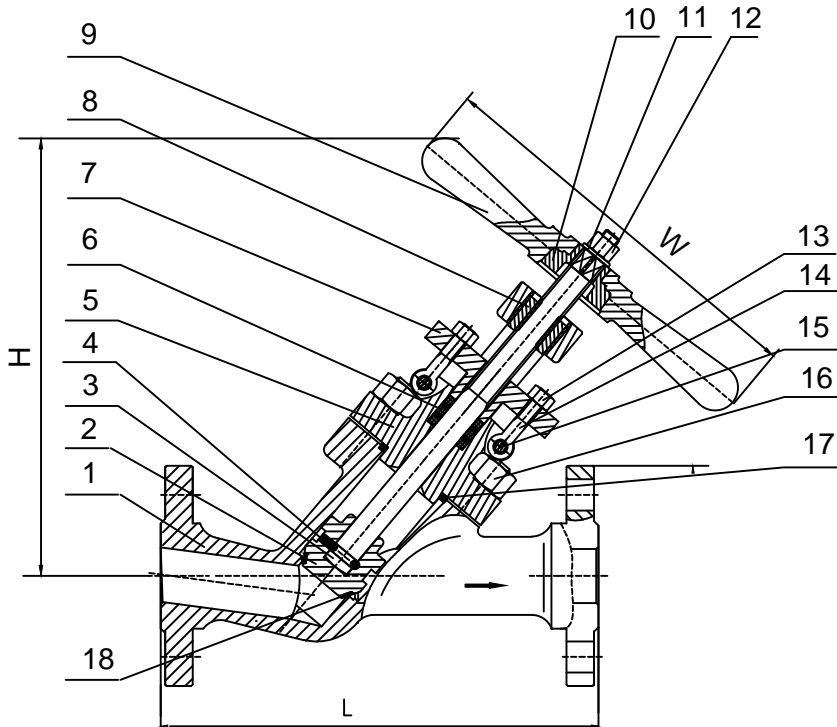


Forged Steel Blow-Off Valve

Straightway Type
300# & 600# Flanged

Model # 3YBFFS2

Model # 6YBFFS2



Davis blow-off valves comply with the following applicable specifications: API 602, API B16.5, MSS SP-25: Tested to API 598

NO.	NAME	MATERIAL
1	BODY	A105
2	DISC	F6+Stellite
3	STEM	F6
4	BALL	F304
5	BONNET	A105
6	PACKING	Soft Grafoil with SS
7	GLAND FLANGE	WCB
8	STEM NUT	Bronze
9	HANDLE	Ductile Iron
10	IMPACT	Ductile Iron
11	GASKET	A29 1035
12	NUT	A194-2H
13	EYE NUT	A194-2H
14	EYE BOLT	A193-B7
15	PIN	A29 1035
16	BOLT	A193-B7
17	GASKET	304+Graphite
18	SEAT	A105+Stellite

Class 300

Figure #3YBFFS2

NPS	inch	1-1/2	2
	mm	40	50
L	inch	12	12.8
	mm	305	325
W	inch	11	11
	mm	280	280
H	inch	12.6	13.8
	mm	320	350
Weight	lbs	43	62
	kgs	19.5	28

Basic Steam Rating - 300 lb. at 850 F
Max Boiler Drum Pressure - 515 psi
Max Non-Shock - 720 lb. at 100 F

Class 600

Figure #6YBFFS2

NPS	inch	1-1/2	2
	mm	40	50
L	inch	12.4	13.1
	mm	315	333
W	inch	11	11
	mm	280	280
H	inch	12.6	13.8
	mm	320	350
Weight	lbs	45	64
	kgs	20	29

Basic Steam Rating - 600 lb. at 850 F
Max Boiler Drum Pressure - 970 psi
Max Non-Shock - 1440 lb. at 100 F

