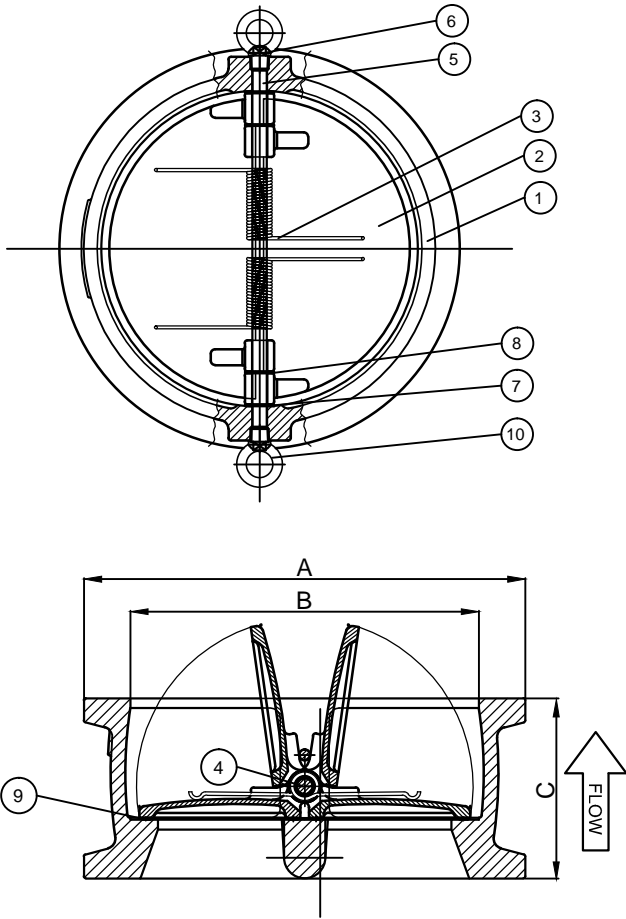


# Wafer Check Valve 150#

Model 1561 - WCB Body / 316 Disc - Metal Seat



General Valve Design: API 594  
 Working Pressure: ASME B16.34  
 Face to Face Dimension: API 594  
 Materials: ASTM  
 Valve Testing: API 598

PART NO.	PART NAME	MATERIAL	Q'TY	REMARK
1	BODY	A216 -WCB	1	
2	PLATE	A351 CF8M	2	
3	SPRING	INCONEL	1	1½ ~ 5"
			2	6"~20"
			4	24"~36"
4	HINGE PIN	316 SS	1	
5	STOP PIN	316 SS	1	
6	RETAINER	316 SS	4	
7	BODY BEARING	316 SS	2	
8	PLATE BEARING	316 SS	2	
9	SEAT	METAL	1	
10	EYE BOLT	A105	1	6"~20"
			2	24"~36"

SIZE	INCH	1 1/2	2	2 1/2	3	4	5	6	8	10	12	14	16	18	20	24	30	36
	MM	38	50	65	80	100	127	150	200	250	300	350	400	450	500	600	762	915
A	INCH	3.38	4.13	4.88	5.38	6.88	7.75	8.75	11.0	13.38	16.13	17.75	20.25	21.62	23.88	28.25	34.75	41.25
	MM	86	105	124	137	175	197	220	279	340	410	451	514	549	606	718	883	1048
B	INCH	2.37	2.37	2.88	3.5	4.5	5.56	6.62	8.62	10.75	12.75	14.0	16.0	18.0	20.0	24.0	30.0	36.0
	MM	60	60	73	89	114	141	168	219	274	324	356	406	457	508	610	762	914
C	INCH	1.69	2.37	2.64	2.88	2.88	3.39	3.86	5.0	5.75	7.13	7.25	7.5	8.0	8.62	8.75	12.13	14.5
	MM	43	60	67	73	73	86	98	127	146	181	184	191	203	219	222	308	368
WGT	LBS	2.2	5	10	10	14	18	27	51	85	130	175	275	260	370	494	1000	1750
	KGS	1.0	2.3	4.5	4.5	6.4	8.2	12	23	39	59	79	125	118	168	224	454	794

