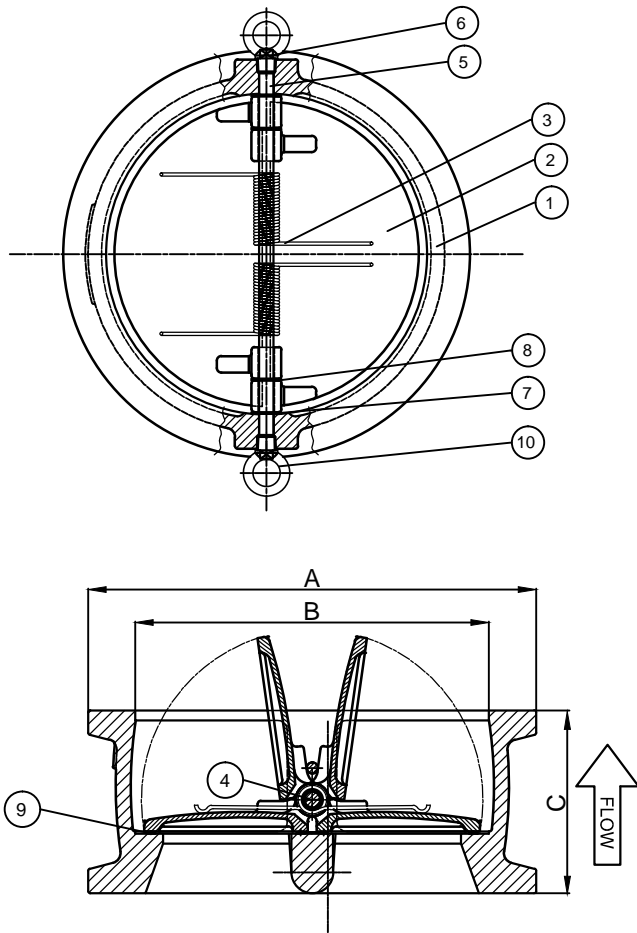


# Wafer Check Valve 300#

Model 3061 - WCB Body / 316 Disc - Metal Seat



General Valve Design: API 594  
 Working Pressure: ASME B16.34  
 Face to Face Dimension: API 594  
 Materials: ASTM  
 Valve Testing: API 598

PART NO.	PART NAME	MATERIAL	Q'TY	REMARK
1	BODY	A216 -WCB	1	
2	PLATE	CF8M	2	
3	SPRING	INCONEL	1	1-1/2" - 5"
			2	6"~20"
			4	24"~36"
4	HINGE PIN	316 SS	1	
5	STOP PIN	316 SS	1	
6	RETAINER	316 SS	4	
7	BODY BEARING	316 SS	2	
8	PLATE BEARING	316 SS	2	
9	SEAT	METAL	1	
10	EYE BOLT	A105	1	6"~20"
			2	24"~36"

SIZE	INCH	1 1/2	2	2 1/2	3	4	5	6	8	10	12	14	16	18	20	24	30	36
	MM	38	50	65	80	100	127	150	200	250	300	350	400	450	500	600	762	915
A	INCH	-	4.37	5.12	5.87	7.13	8.5	9.88	12.13	14.25	16.61	19.13	21.26	23.5	25.75	30.5	37.5	-
	MM	-	111	130	149	181	216	251	308	362	422	486	540	597	654	775	953	-
B	INCH	-	2.37	2.87	3.5	4.5	5.56	6.62	8.62	10.75	12.75	14	16	18	20	24	30	-
	MM	-	60	73	89	114	141	168	219	274	324	356	406	457	508	610	762	-
C	INCH	-	2.37	2.63	2.88	2.88	3.38	3.88	5.0	5.75	7.13	8.75	9.13	10.38	11.5	12.5	15.69	-
	MM	-	60	67	73	73	86	98	127	146	181	222	232	264	292	318	398	-
WGT	LBS	-	7	11	15	18	35	45	82	125	200	325	415	555	725	1100	2050	-
	KGS	-	3.2	5	6.8	8.2	16	20	37	57	91	147	188	252	329	499	930	-

